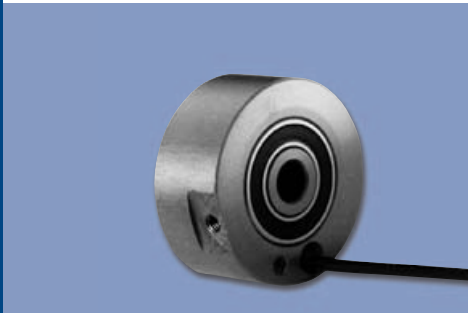


Hollow Shaft Sensors potentiometric Conductive Plastic

Series GL



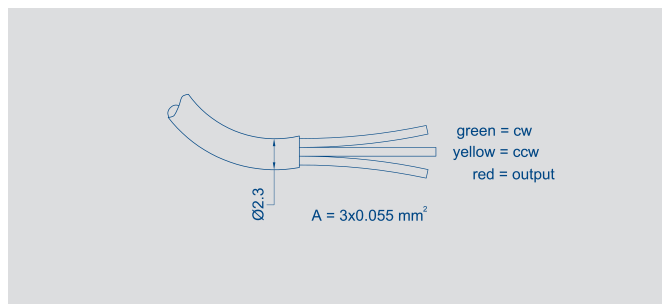
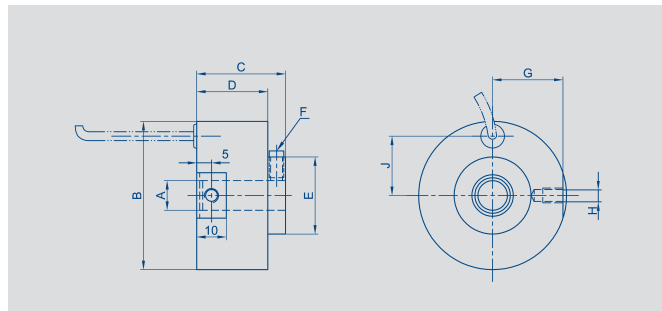
Special features

- Hollow shaft
- Drill hole \varnothing 6 - 30 mm
- 10×10^5 movements
- excellent linearity
- very high resolution - better than 0.1°

Due to precision potentiometers with hollow shaft design, angle sensors can be mounted easily for the measuring application.

The careful selection of the materials and high quality of the components used ensure a constant and high level of quality throughout the entire service life of the angle sensor.

Special designs with other angular ranges and shaft dimensions on request.



Recommended accessories

Process-controlled indicators
MAP... with display,
Signal conditioner MUP...
for standardized output signals.

Important

All the values given in this data sheet for linearity, lifetime and temperature coefficient in the voltage dividing mode are quoted for the device operating with the wiper voltage driving on operational amplifier working as a voltage follower, where virtually no load is applied to the wiper ($I_e \leq 1 \mu\text{A}$).

Description	
Dimensions	see drawing
Case	anodized aluminium
Drill hole	6; 10; 20; 30; mm /ISO H9
Bearings	slotted ball bearing
Resistance element	conductive plastic
Wiper assembly	precious metal multi-finger wiper
Electrical connections	cable 1 m PUR

